

Porthole Glass 1

DT-PHG-1



Porthole Glass 1

PORTHOLE GLASS 1 [DT-PHG-1] – SINGLE GLAZED PROJECTOR PORTHOLE WITH MAGNETIC MOUNTING INTERFACE

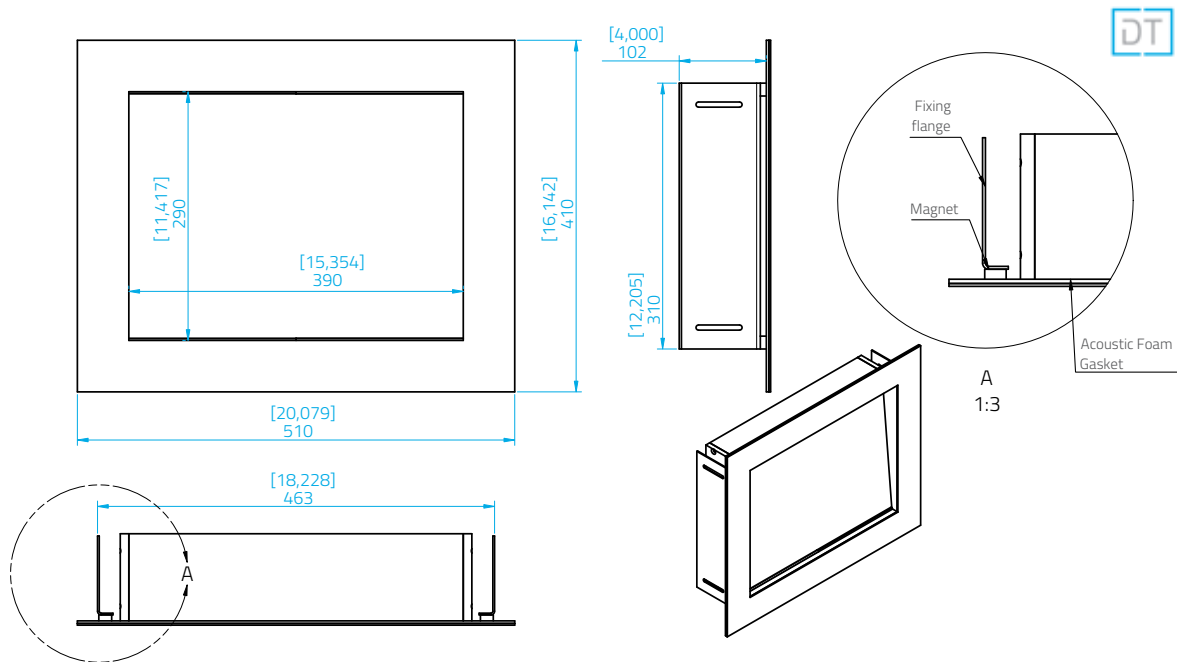
DT Porthole Glass 1 is a single glazed projector porthole featuring high performance dual anti-reflection coated glass, magnetic mounting interface and RAL colour finish options.



Porthole Glass 1 features a single sheet of high performance optical glass which has been anti reflective coated on both faces to deliver light transmission of over 98% across Rec2020 wavelengths without impacting colour or contrast.

The PHG-1 is a sealed unit which is mounted magnetically to steel brackets that are fixed to the projector opening. This allows the PHG-1 to be easily removed for cleaning or to provide service access to the projector. This also enables the PHG-1 to be easily adjusted for perfect alignment with the finished lines within the room itself.

PHG-1 is supplied as standard in a black paint finish but can be specified in specific RAL colours to enable the best possible match with the room decor.



Porthole Glass 1 - technical drawing

Display Technologies is a British brand specialising in advanced projector screens, mounting brackets and custom installation solutions. Their focus on the combination of technical performance and design for install, ensure that all DT products meet the needs of both the client and installer.

