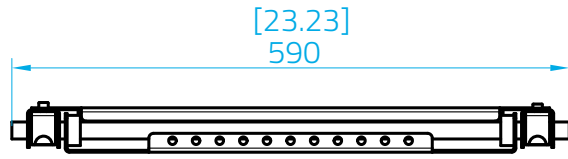


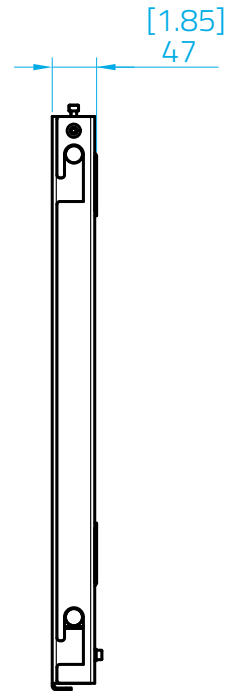
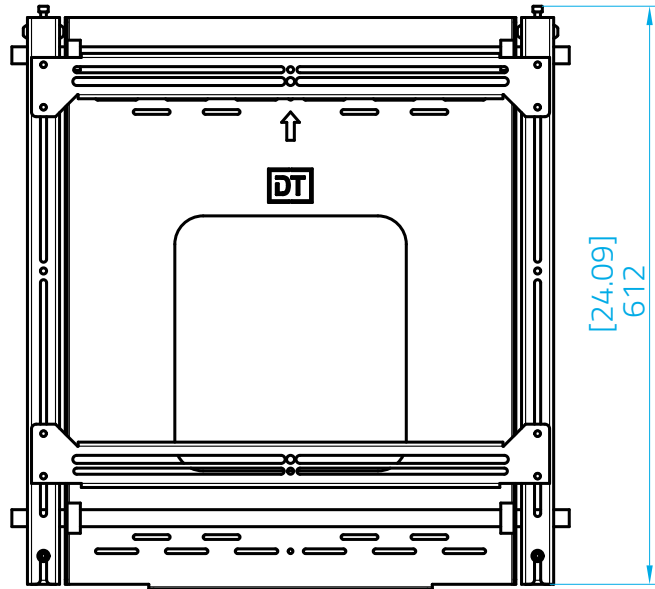
	NAME	SIGNATURE	DATE	TITLE		
DRAWN	SIMON RIDLEY		2020-02-18	DT-CM FIXED PROJECTOR CEILING MOUNT		
APPROVED						
UNLESS OTHERWISE SPECIFIED, DIMENSIONS ARE IN MILLIMETERS				SIZE	DWG NO.	REV.
				A4	DT-CM /1	1.0
				SCALE	WEIGHT	SHEET
				1:4	7kg [15.34lbs]	1 of 3



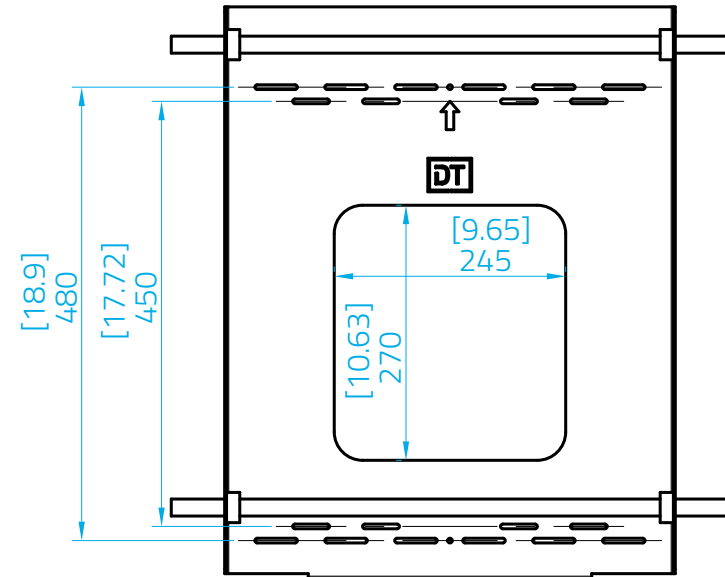
BACK



BOTTOM

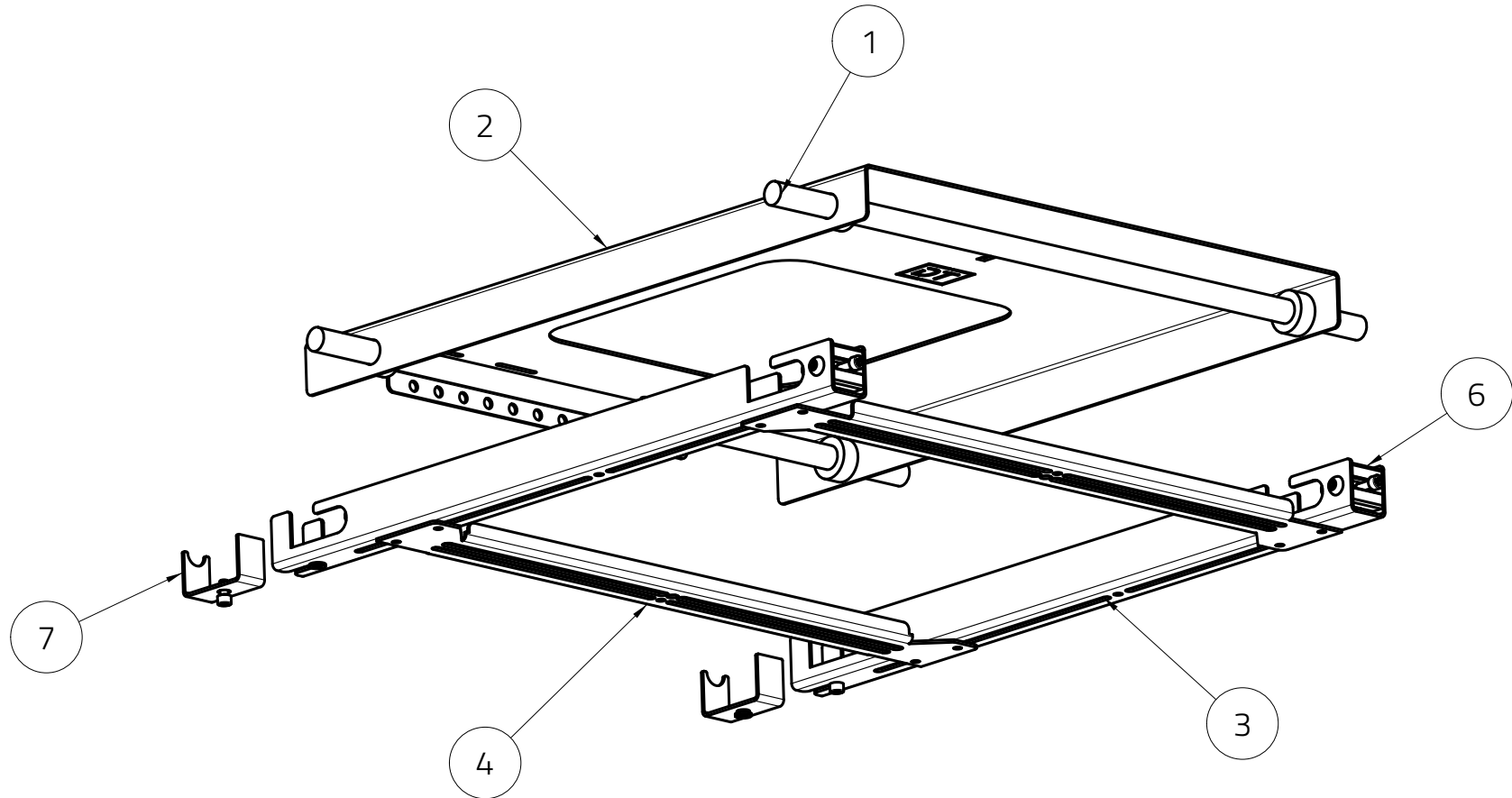


BACK PLATE ONLY



FRONT





Item No.	Description
1	Hanging Shaft
2	Back Fixing Plate
3	Projector Hanger
4	Universal Projector Mount
5	Projector Hanger
6	Adjuster Block
7	Locking Block

Notes	
Max Projector Weight	50kg [110lbs]
Max Projector Fixing Dimensions	454mm x 454mm [17.87" x 17.87"]M8
Rotation Adjustment	+/- 5 degrees
DWG NO.	DT-CM/3
SIZE	A4
SCALE	1:5
SHEET	3 of 3
REV.	1.0