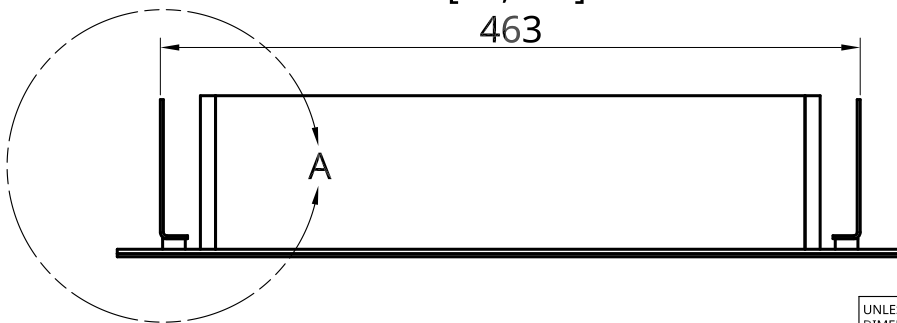
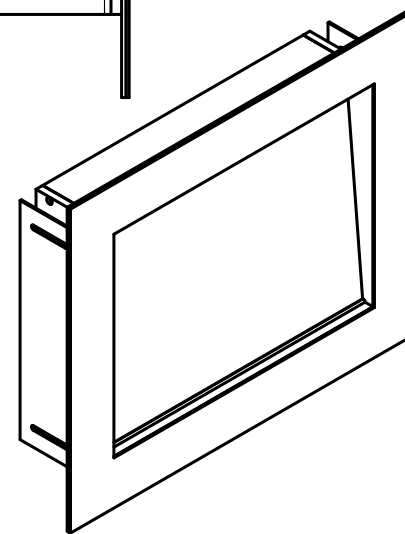


A
1:3



Cutout =
 Height - 320mm
 Width - 463mm

UNLESS OTHERWISE SPECIFIED, DIMENSIONS ARE IN MILLIMETERS		NAME	SIGNATURE	DATE	Display Technologies Ltd	
ANGULAR = ± °		DRAWN	Simon Ridley	2017-05-25	TITLE	
SURFACE FINISH ✓		CHECKED			Projection Portal	
DO NOT SCALE DRAWING		APPROVED			400mm x 300mm	
BREAK ALL SHARP EDGES AND REMOVE BURRS					Double Glazed	
FIRST ANGLE PROJECTION		MATERIAL	FINISH	SIZE	DWG NO.	REV.
		Aluminium	Powder Coat - Black/Whit/RAL	A4	PHG2-400-300	-
		SCALE	1:5	WEIGHT	SHEET	1 of 1